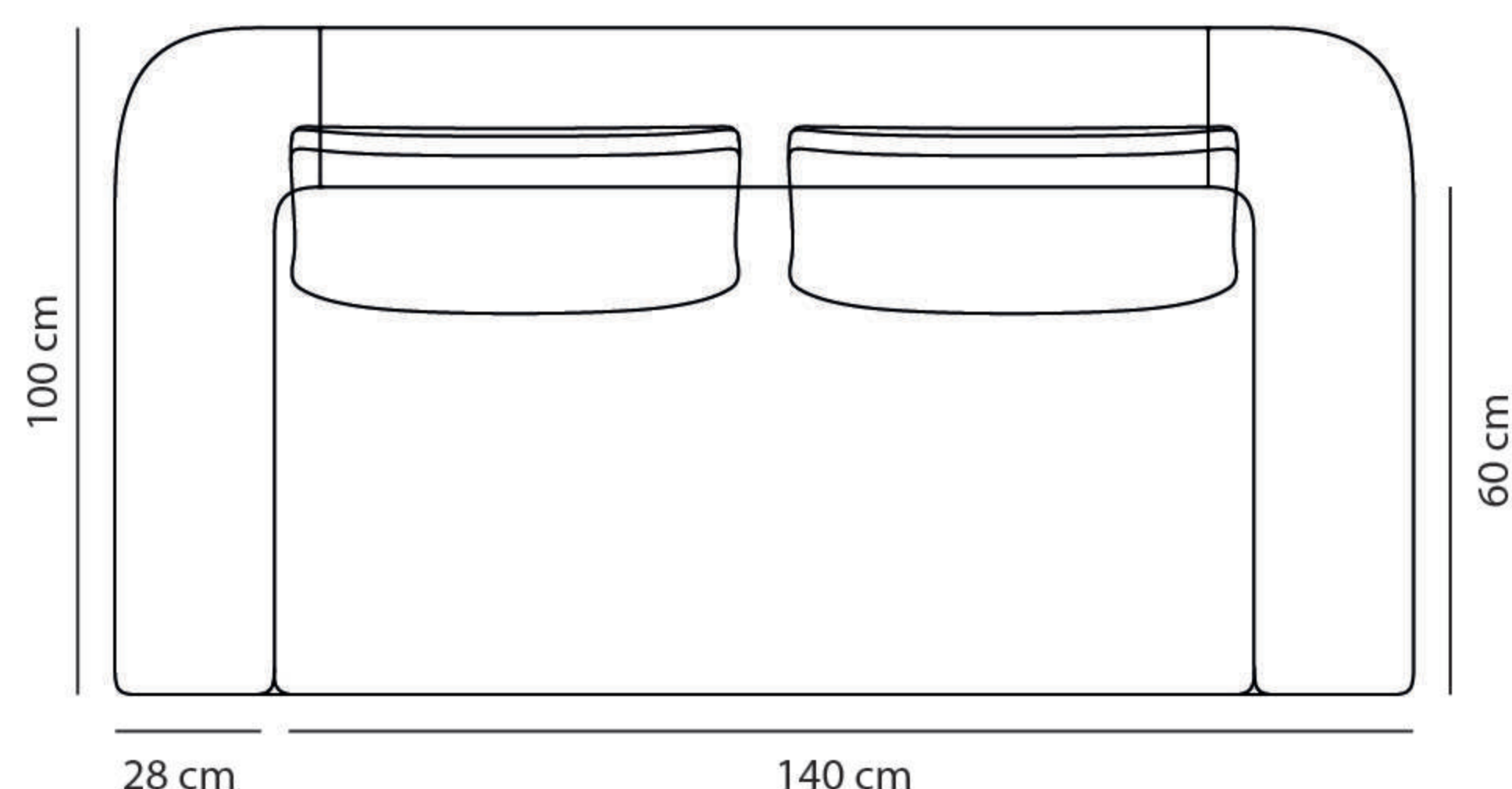
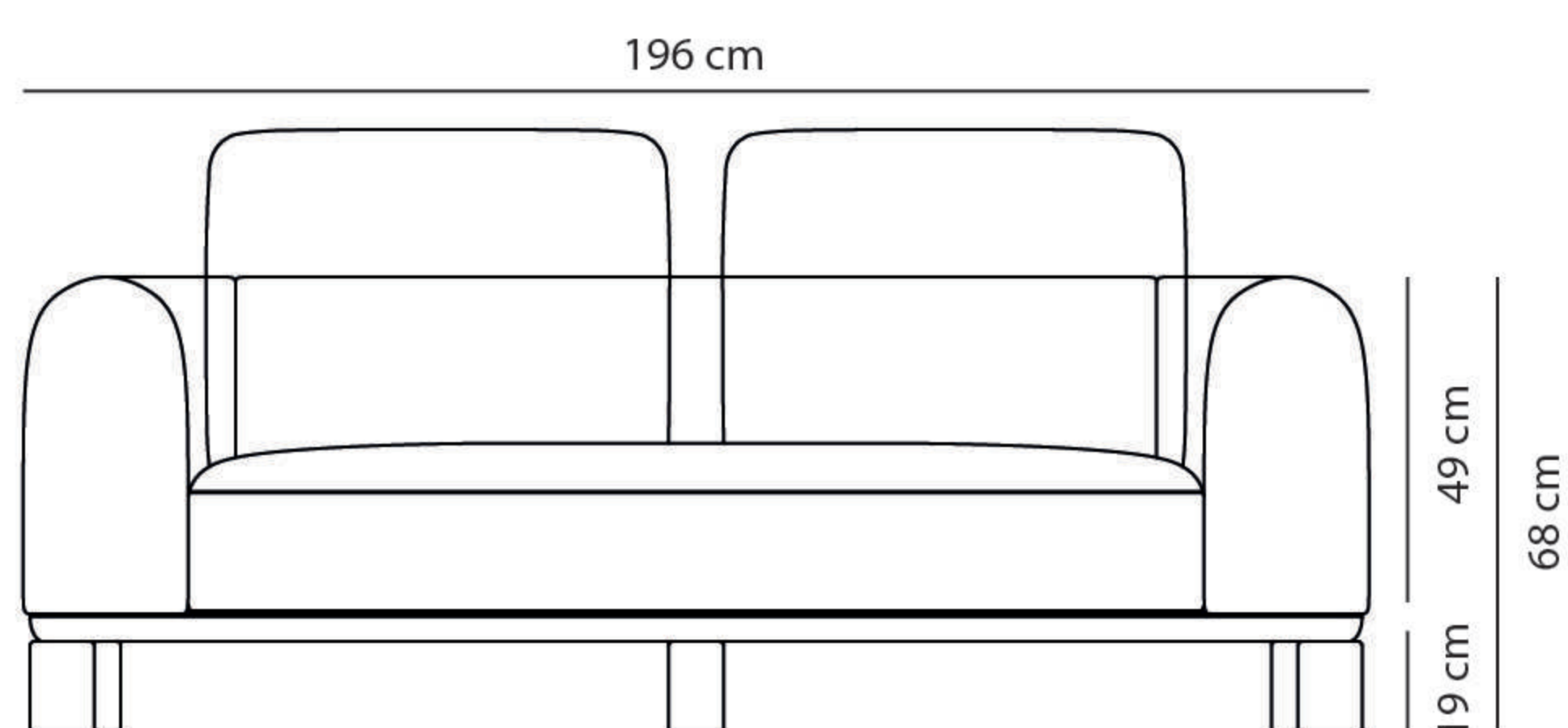
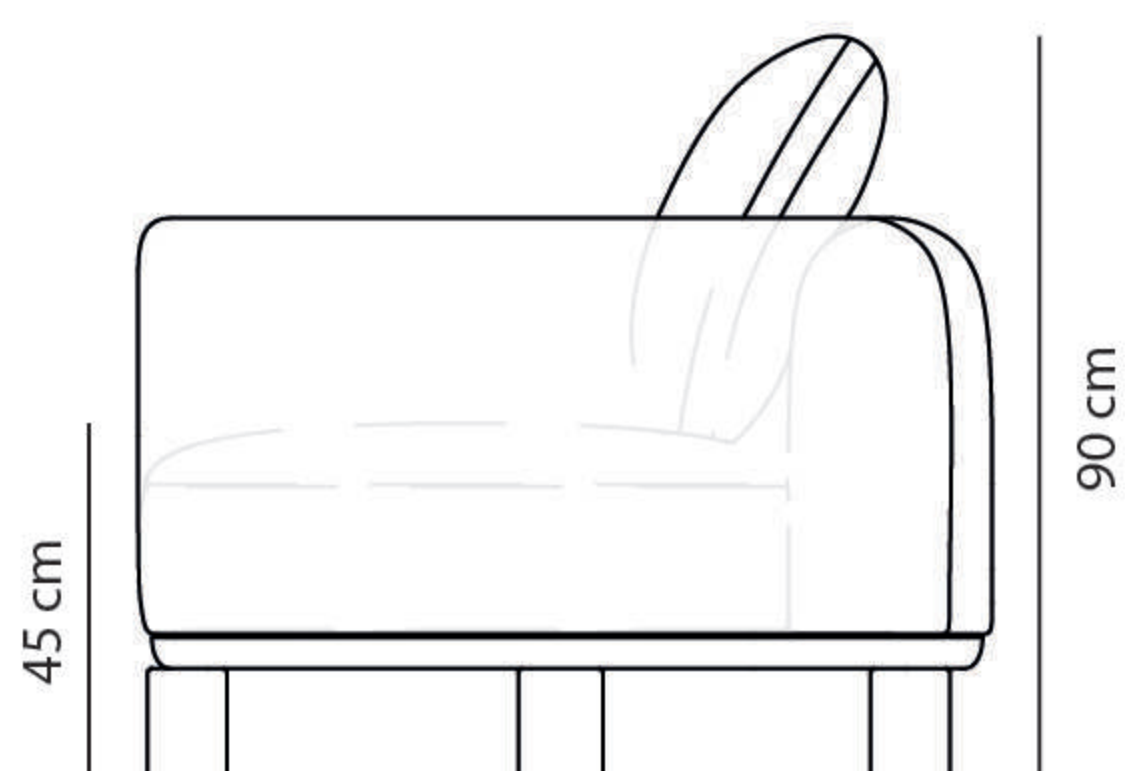





VITTORIO 2 SEATS



Design: Ferriani Sbolgi
Fabric and colors strategy: Studio Marcante - Testa


Dimensions and weight	Seats	2
	Structure	196 (L) × 100 (P) cm
	Height	h 90 cm
	Weight	60 kg

Fabric/Color	Sa Lò Zeno: Nocciola	
--------------	----------------------------	---

Base/Color	Wood Base Blue Base	 
------------	------------------------	---

Components, Materials and finishes Sofa with fixed structure in beech, fir, and plywood. Base in matt open-pore lacquered beech. Cushions with removable covers, featuring polyurethane foam and polyester wadding padding, upholstered in San Lò Zeno Nocciola fabric.

Composition	75% CO 25% PL
-------------	---------------

Washing Instructions	
----------------------	---

Shipping	The sofa is individually packed in a box.
----------	---

Product Care Dry clean cushions only. Clean the fabric of the structure with a damp cloth or mild soap, preferably using a wool cloth. Do not use products containing alcohol, solvents, or derivatives on either the fabric or the base.

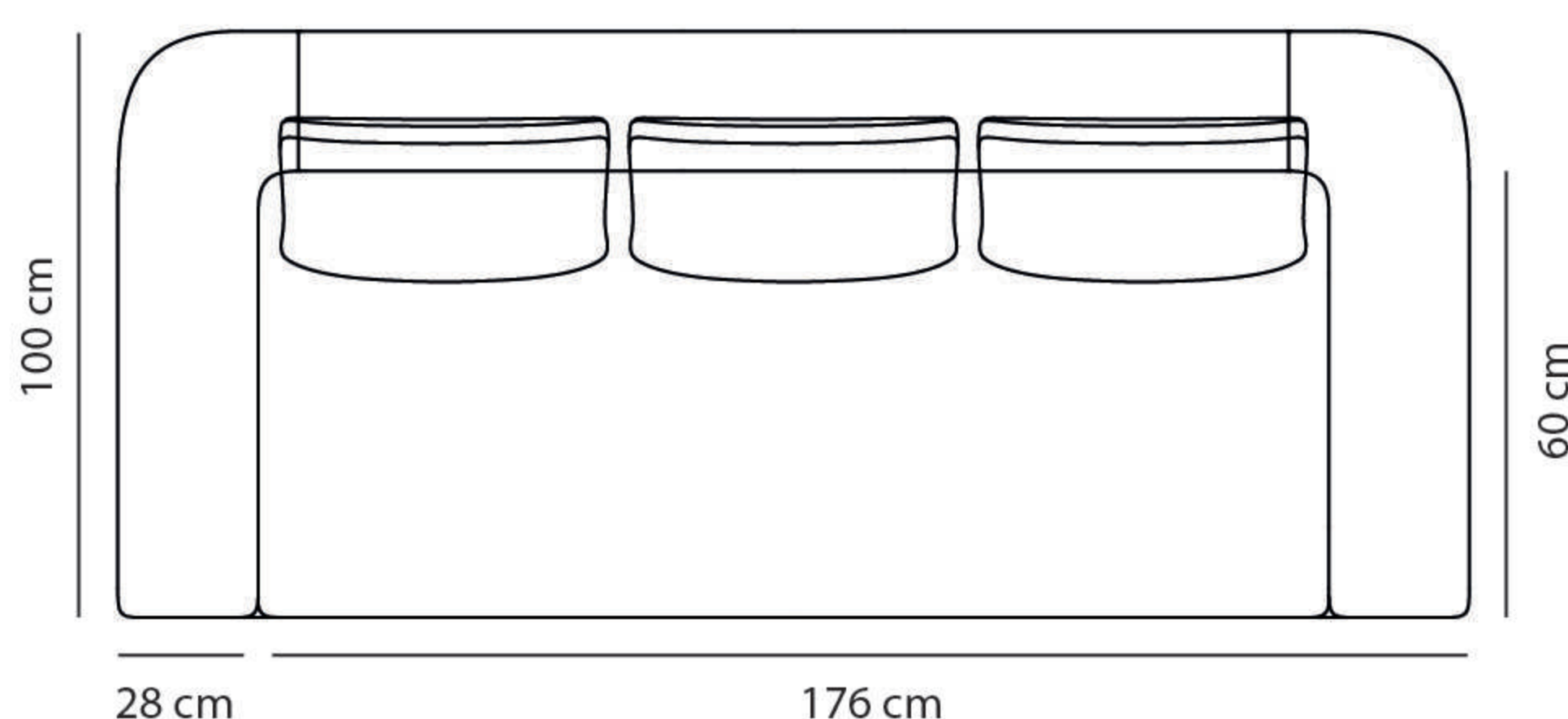
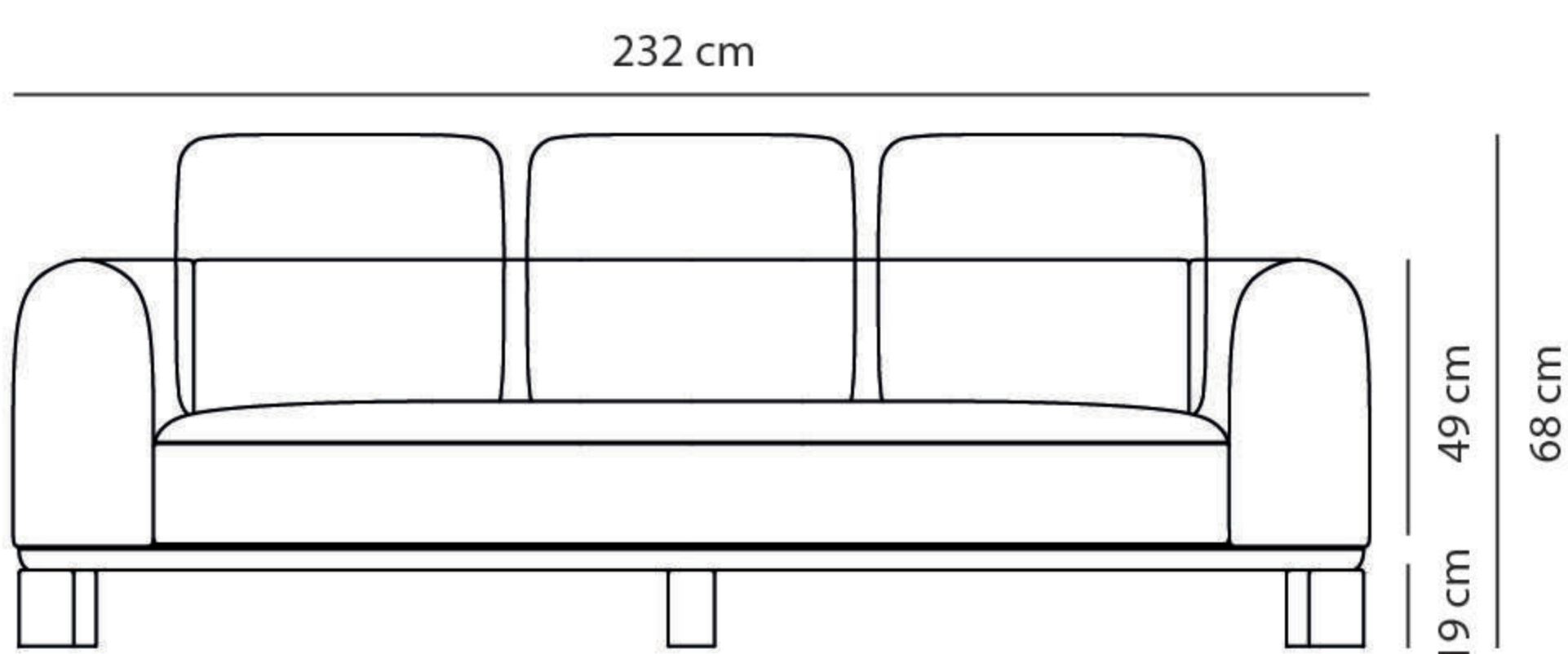
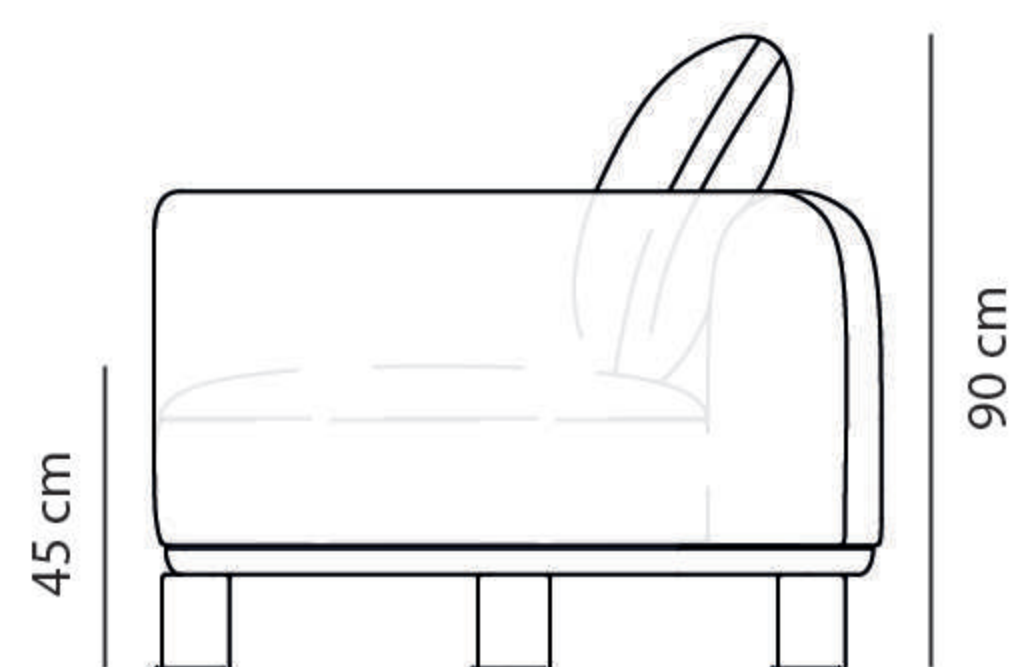
Contacts SAN LÒ
Via delle Ortensie 6/8
Modugno (BA) 70026
(+39) 0809184980
info@sanlodesign.it
sanlodesign.it



SAN LÒ

VITTORIO 3 SEATS

Design: Ferriani Sbolgi
Fabric and colors strategy: Studio Marcante - Testa



Dimensions and weight	Seats	3
	Structure	232 (L) × 100 (P) cm
	Height	h 90 cm
	Weight	70 kg

Fabric/Color	Sa Lò Zeno: Nocciola	
--------------	----------------------------	--

Base/Color	Wood Base Blue Base	
------------	------------------------	--

Components, Materials and finishes Sofa with fixed structure in beech, fir, and plywood. Base in matt open-pore lacquered beech. Cushions with removable covers, featuring polyurethane foam and polyester wadding padding, upholstered in San Lò Zeno Nocciola fabric.

Composition 75% CO 25% PL

Washing Instructions

Shipping The sofa is individually packed in a box.

Product Care Dry clean cushions only. Clean the fabric of the structure with a damp cloth or mild soap, preferably using a wool cloth. Do not use products containing alcohol, solvents, or derivatives on either the fabric or the base.

Contacts SAN LÒ
Via delle Ortensie 6/8
Modugno (BA) 70026
(+39) 0809184980
info@sanlodesign.it
sanlodesign.it



SAN LÒ