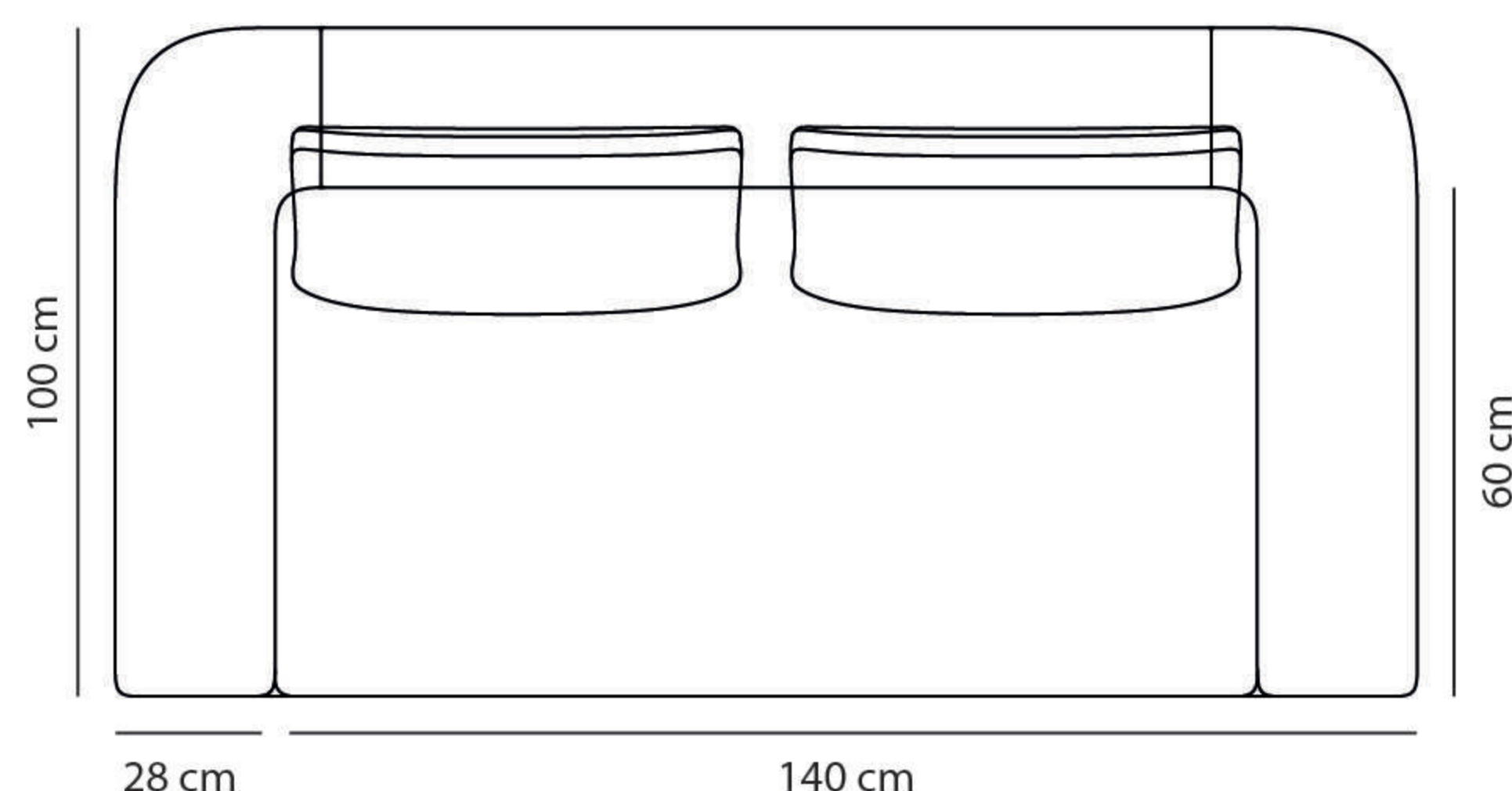
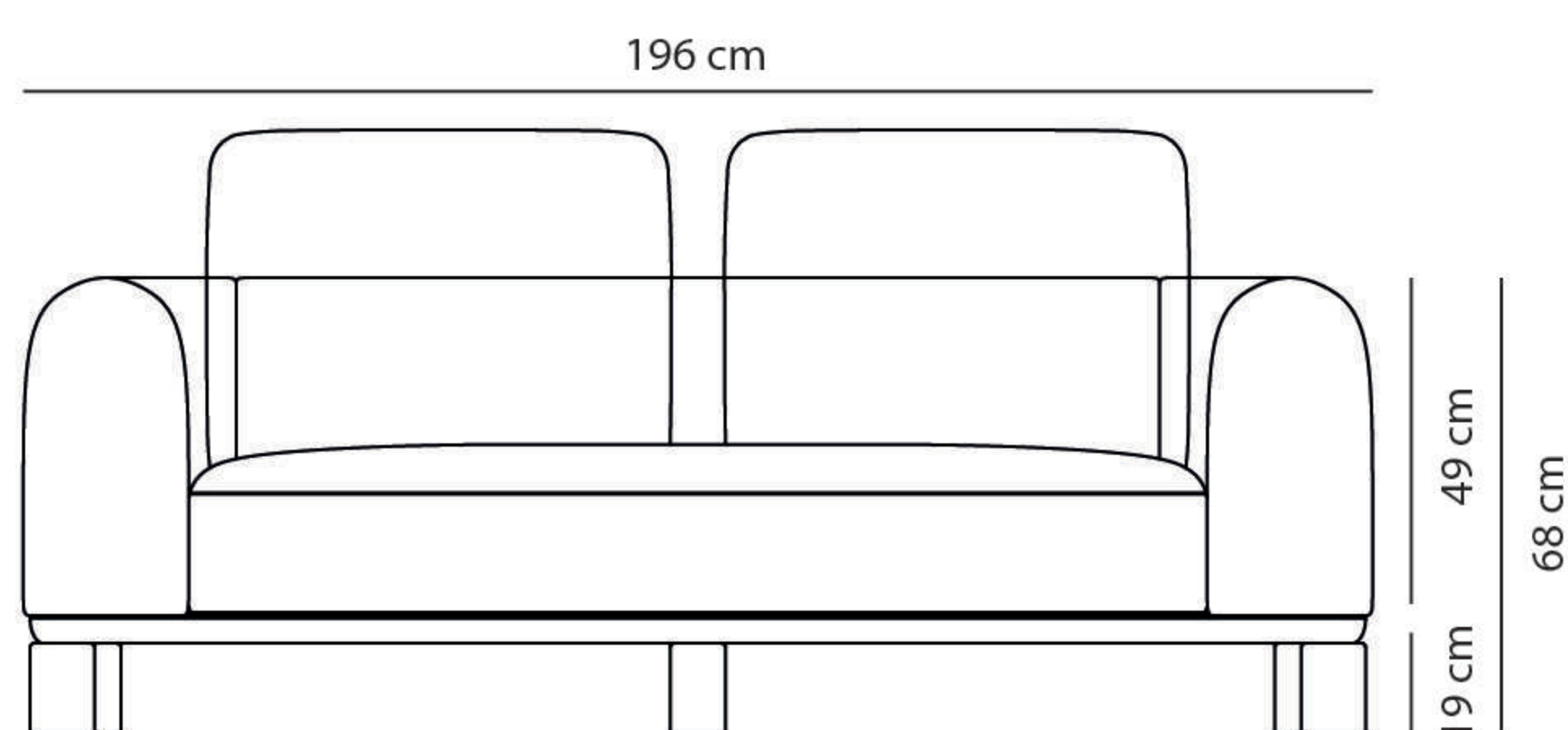
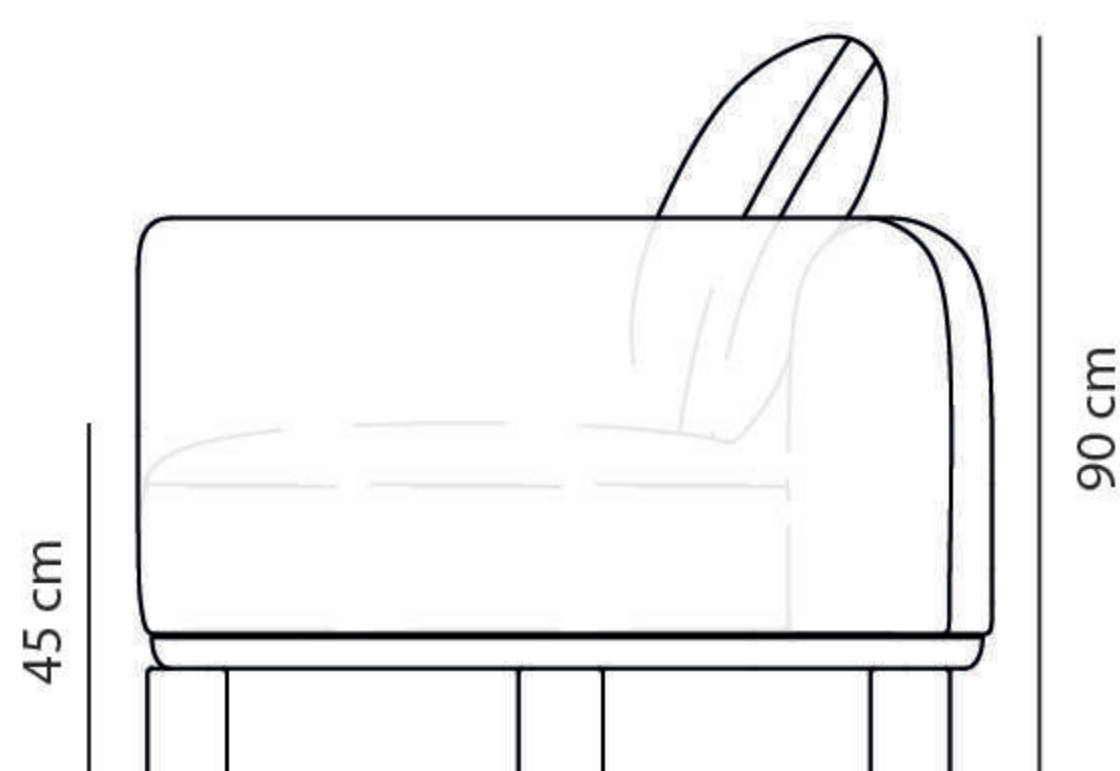


# GIACOMO 2 SEATS



**Design: Ferriani Sbolgi**  
**Fabric and colors strategy: Studio Marcante - Testa**

Dimensions and weight	Seats	2
	Structure	196 (L) × 100 (P) cm
	Height	h 90 cm
	Weight	60 kg

Fabric/Color	Sa Lò	
	Zeno:	
	Pistacchio	

Base/Color	Wood Base	
	Yellow Base	

**Components, Materials and finishes** Sofa with fixed structure in beech, fir, and plywood. Base in matt open-pore lacquered beech. Cushions with removable covers, featuring polyurethane foam and polyester wadding padding, upholstered in San Lò Zeno Pistacchio fabric.

Composition	75% CO 25% PL
-------------	---------------

Washing Instructions	
----------------------	--

Shipping	The sofa is individually packed in a box.
----------	---

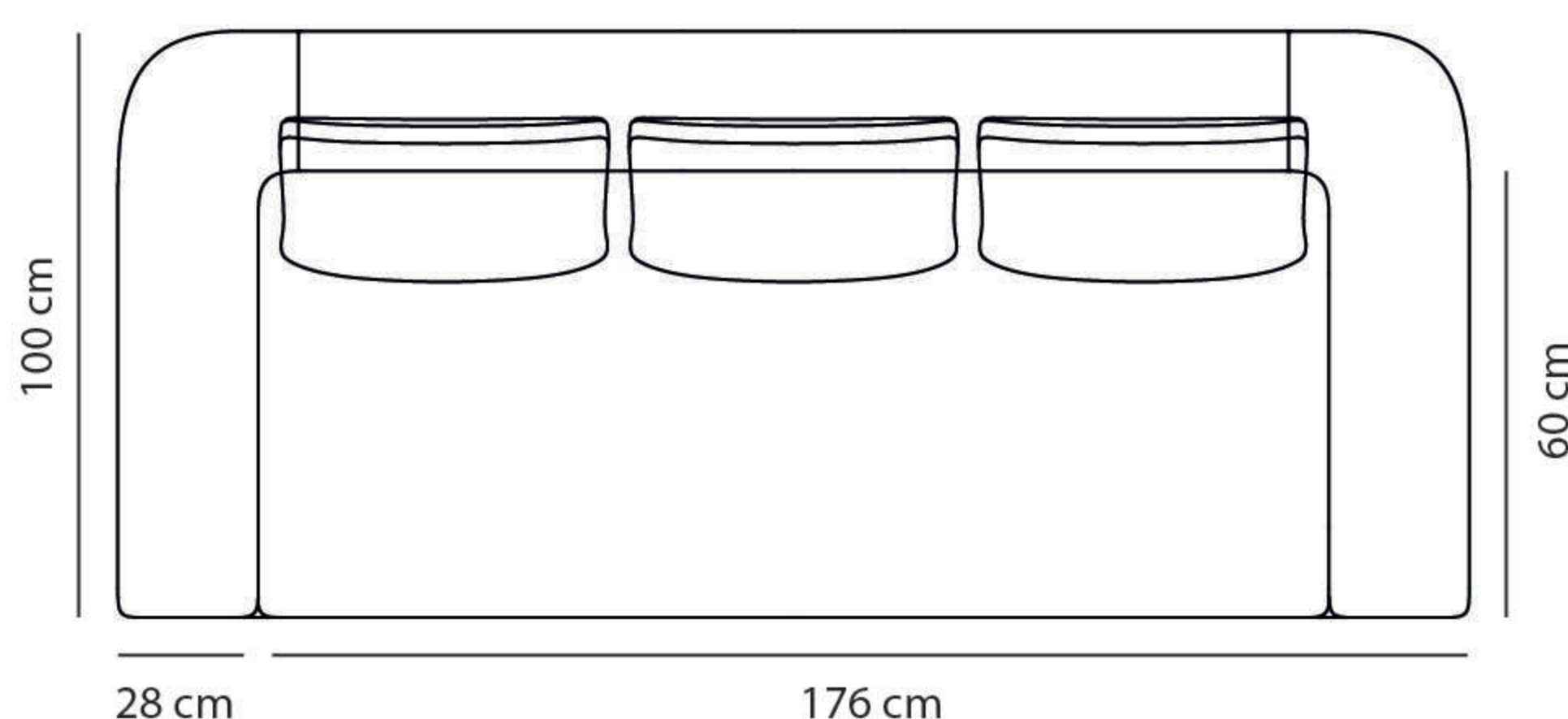
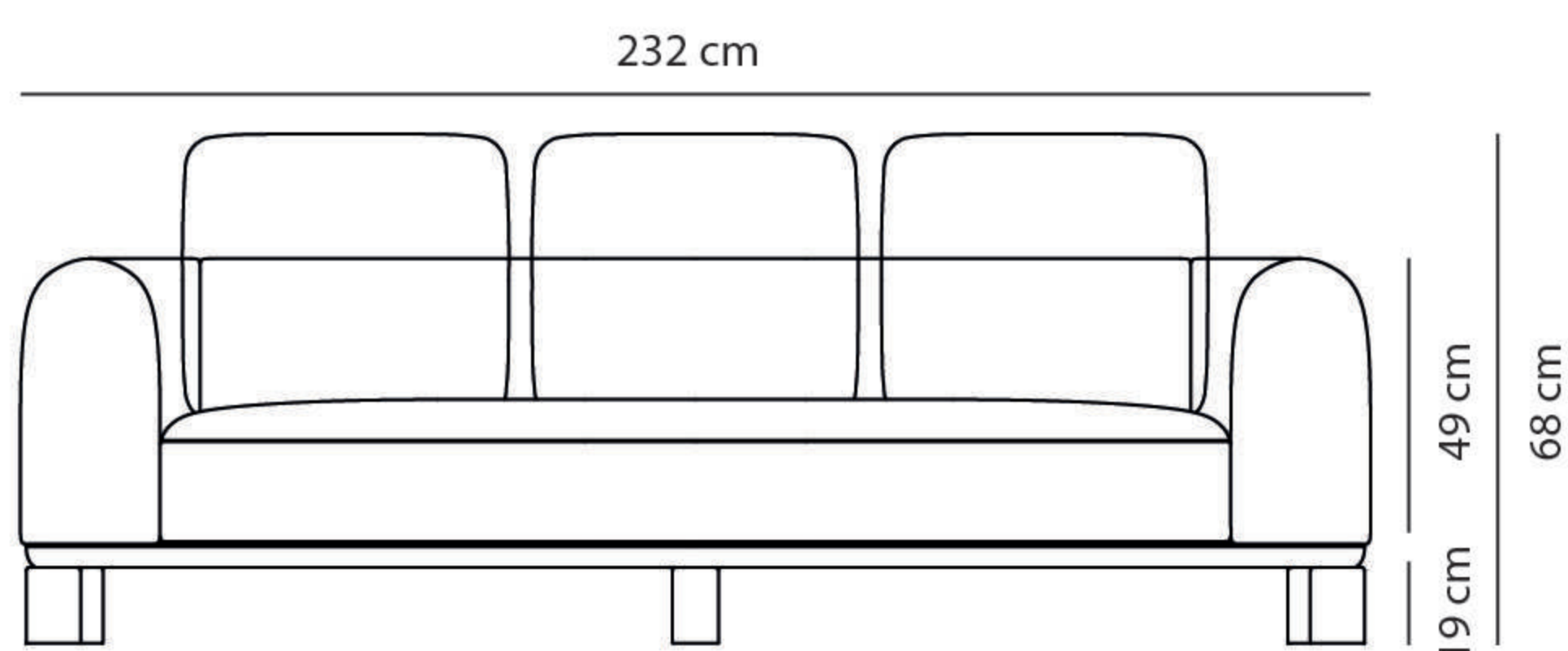
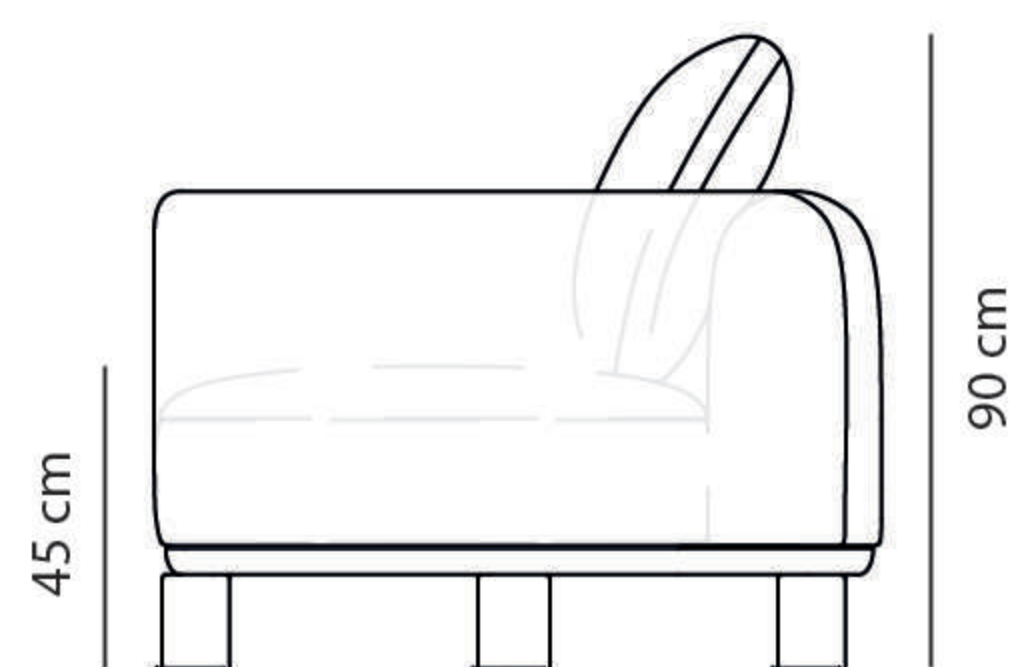
**Product Care** Dry clean cushions only. Clean the fabric of the structure with a damp cloth or mild soap, preferably using a wool cloth. Do not use products containing alcohol, solvents, or derivatives on either the fabric or the base.

**Contacts** SAN LÒ  
Via delle Ortensie 6/8  
Modugno (BA) 70026  
(+39) 0809184980  
info@sanlodesign.it  
sanlodesign.it



# SAN LÒ

# GIACOMO 3 SEATS



Design: Ferriani Sbolgi  
Fabric and colors strategy: Studio Marcante - Testa

Dimensioni e peso	Sedute	3
	Struttura	232 (L) × 100 (P) cm
	Altezza	h 90 cm
	Peso	70 kg

Fabric/Color	Sa Lò Zeno: Pistacchio	
--------------	------------------------------	--

Base/Color	Wood Base Yellow Base	
------------	--------------------------	--

**Components, Materials and finishes** Sofa with fixed structure in beech, fir, and plywood. Base in matt open-pore lacquered beech. Cushions with removable covers, featuring polyurethane foam and polyester wadding padding, upholstered in San Lò Zeno Pistacchio fabric.

Composition	75% CO 25% PL
-------------	---------------

Washing Instructions	
----------------------	--

Shipping	The sofa is individually packed in a box.
----------	---

**Product Care** Dry clean cushions only. Clean the fabric of the structure with a damp cloth or mild soap, preferably using a wool cloth. Do not use products containing alcohol, solvents, or derivatives on either the fabric or the base.

Contacts	SAN LÒ Via delle Ortensie 6/8 Modugno (BA) 70026 (+39) 0809184980 info@sanlodesign.it sanlodesign.it
----------	---



# SAN LÒ