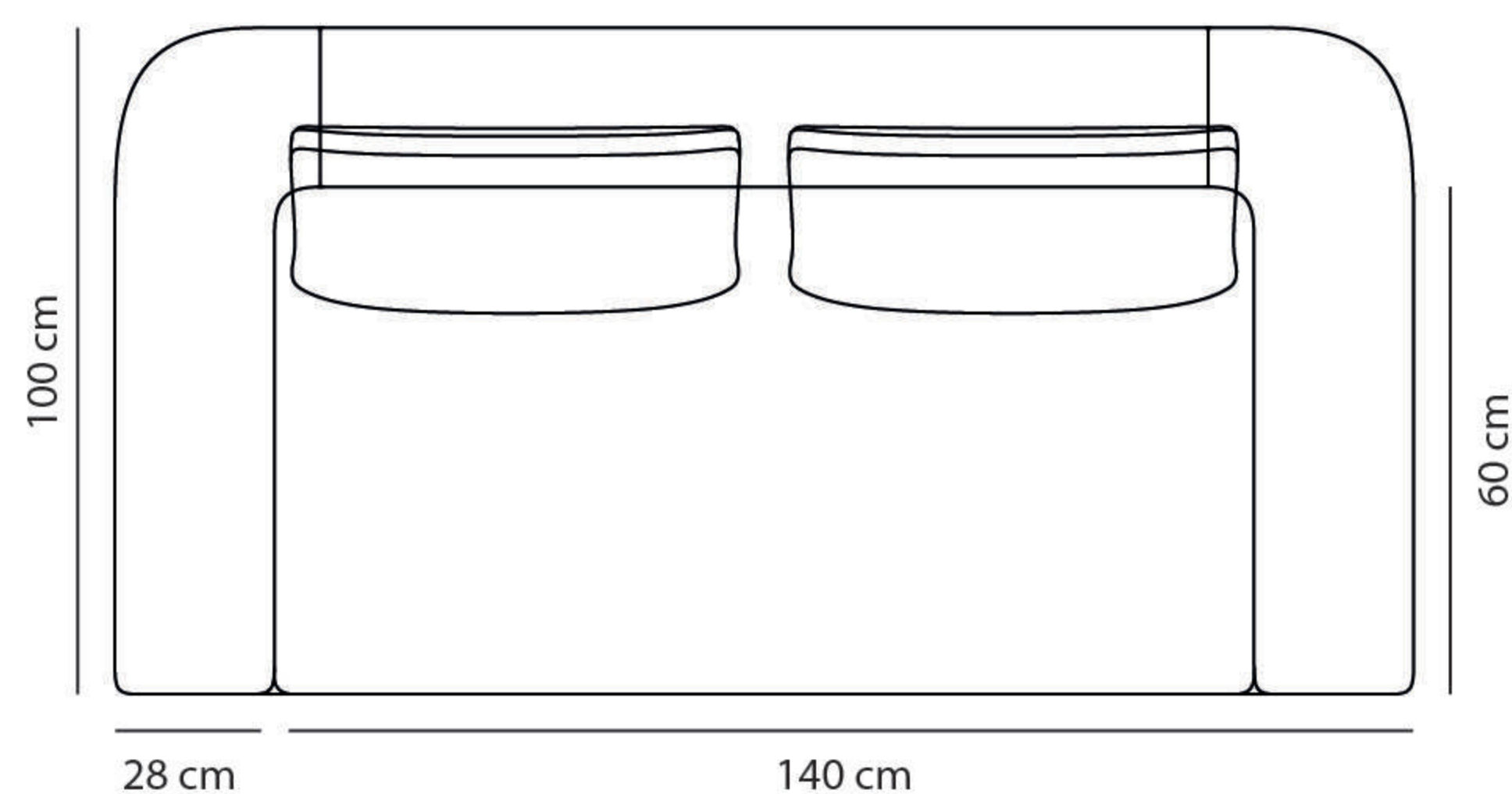
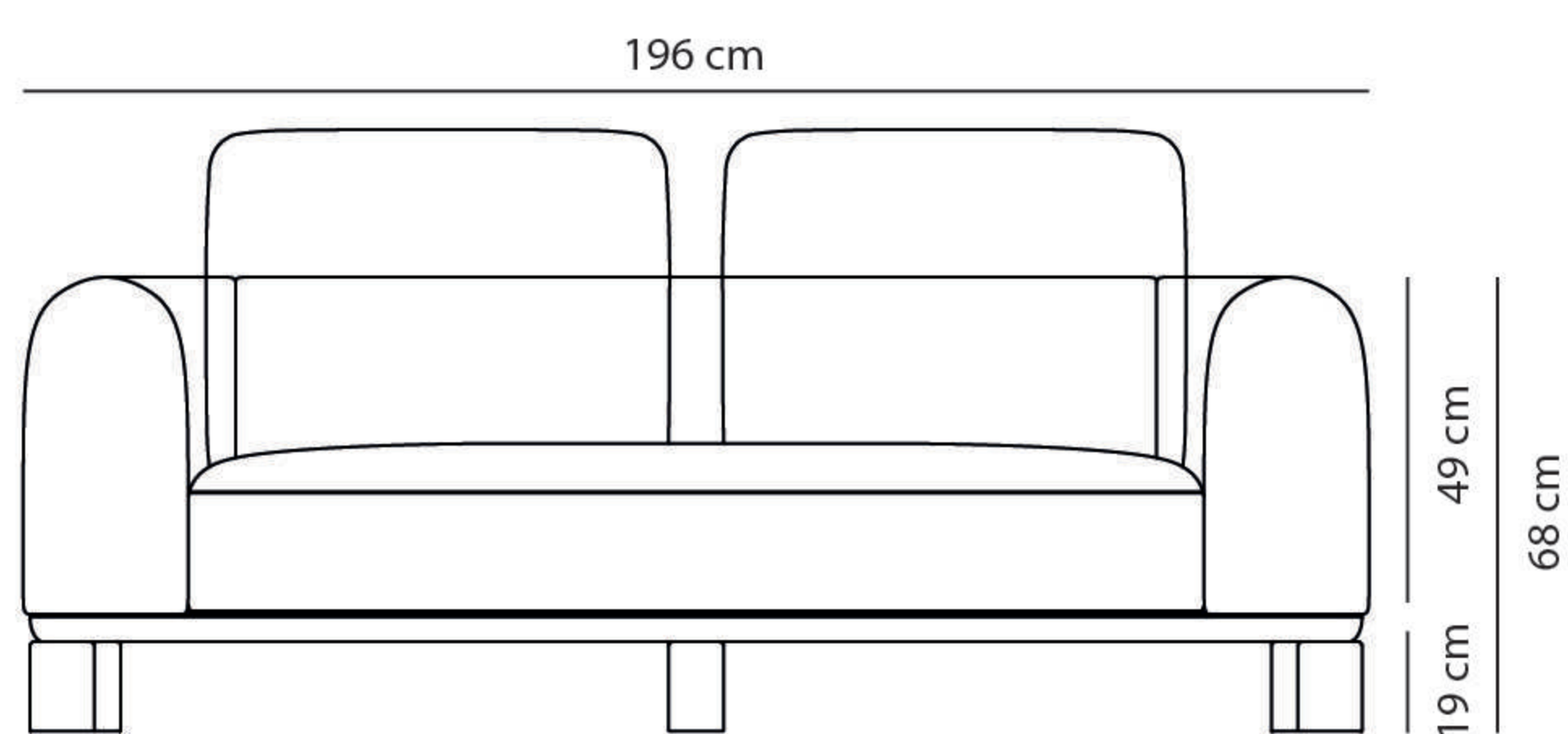
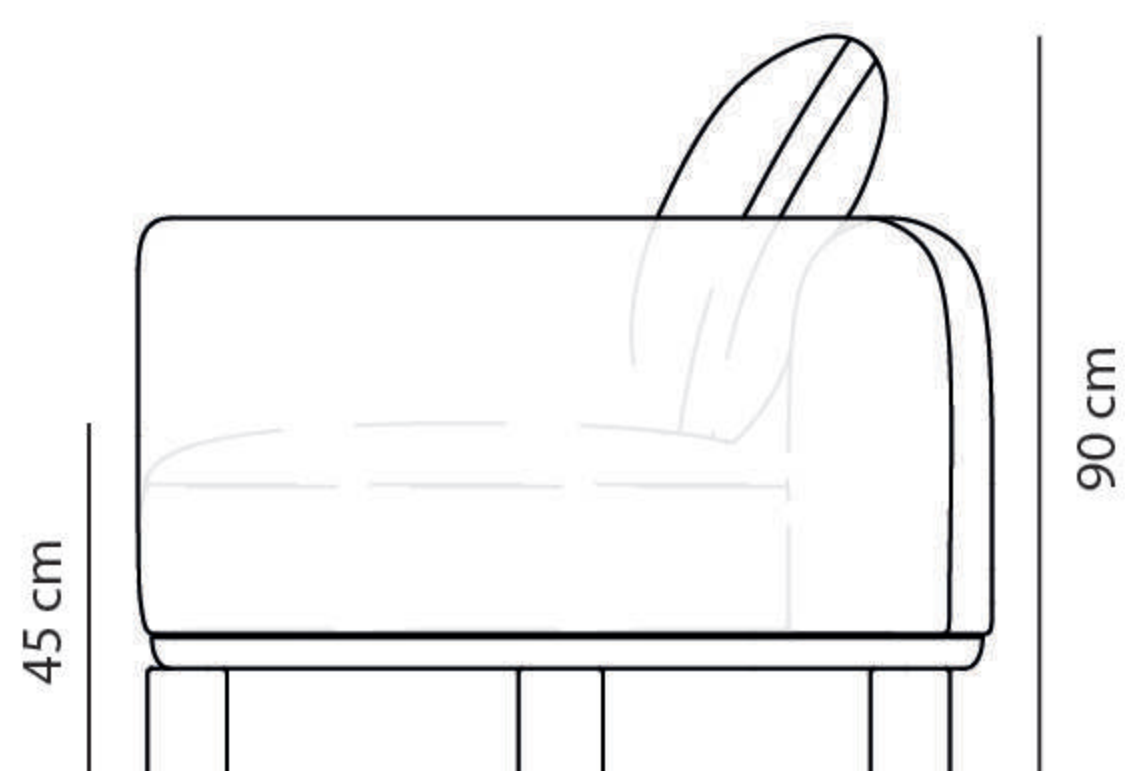





CLEMENTINA 2 SEATS



Design: Ferriani Sbolgi
Fabric and colors strategy: Studio Marcante - Testa


Dimensions and weight	Seats	2
	Structure	196 (L) × 100 (P) cm
	Height	h 90 cm
	Weight	60 kg

Fabric/Color	Shumacher	
	Dutton Buffalo Check:	
	Crismon	

Base/Color	Wood Base	 
	Blue Base	

Components, Materials and finishes Sofa with fixed structure in beech, fir, and plywood. Base in matt open-pore lacquered beech. Cushions with removable covers, featuring polyurethane foam and polyester wadding padding, upholstered in Schumacher Dutton Buffalo Check Emerald fabric.

Composition Schumacher fabric 80% CO 20% PL

Washing Instructions  DRY CLEAN

Shipping The sofa is individually packed in a box.

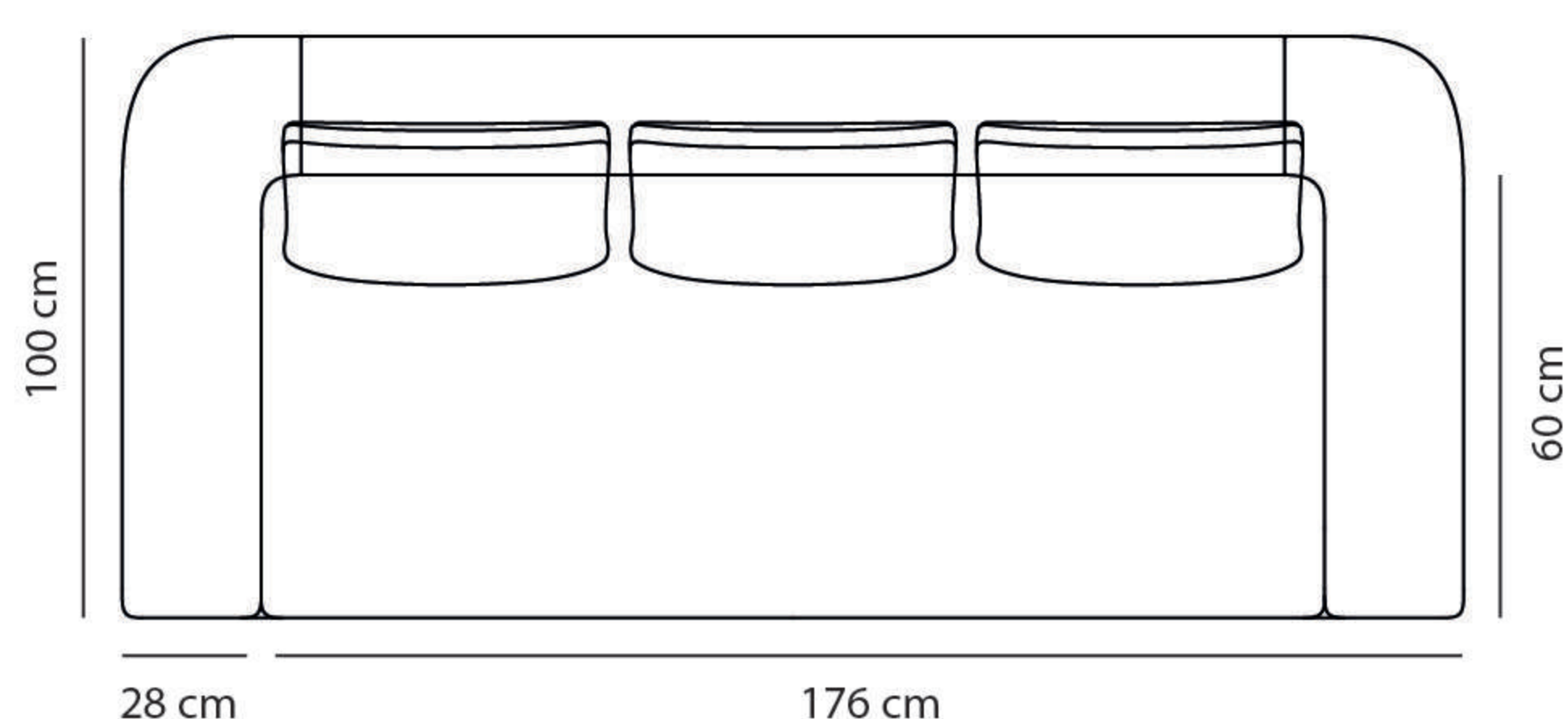
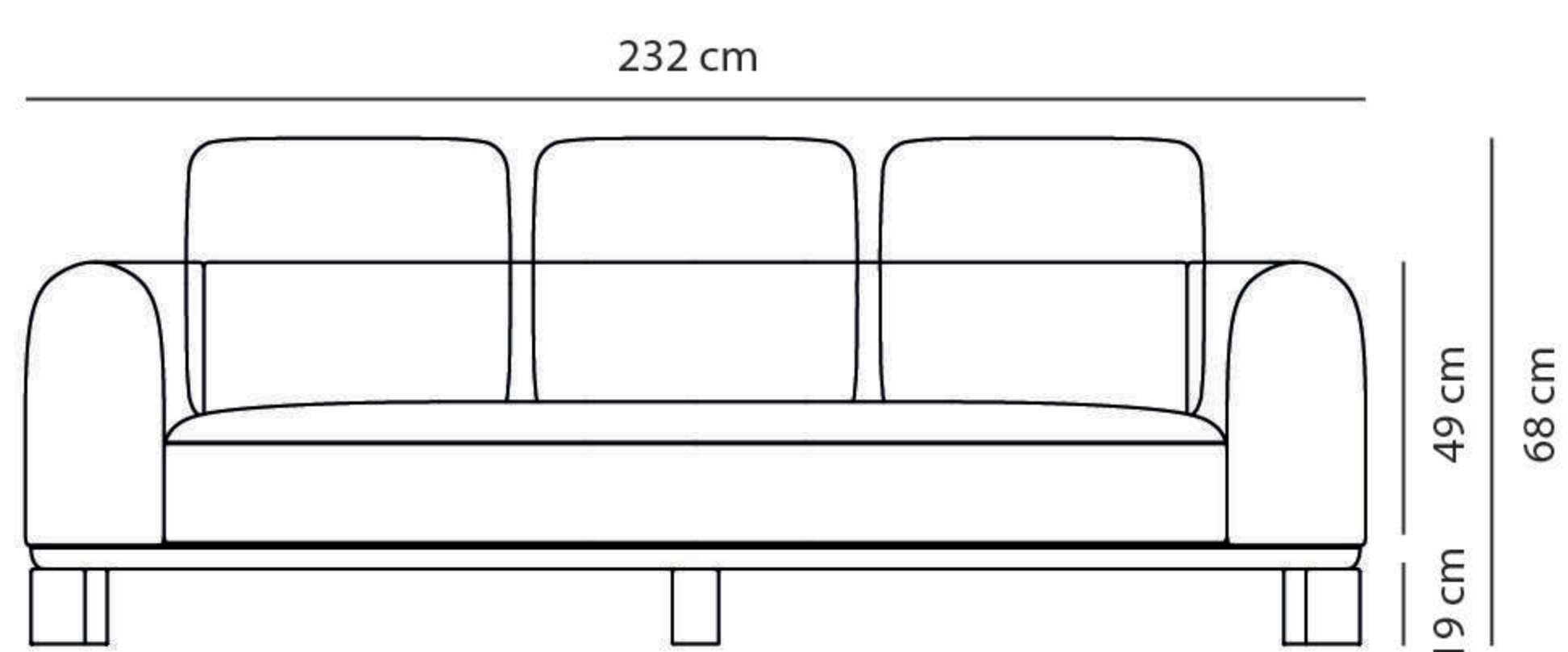
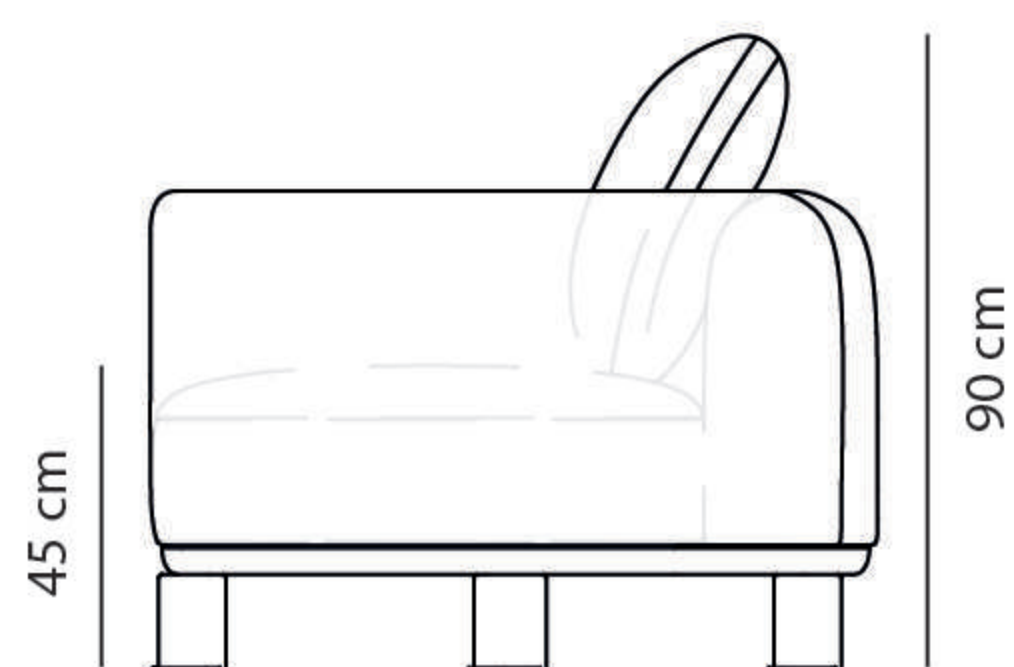
Product Care Dry clean cushions only. Clean the fabric of the structure with a damp cloth or mild soap, preferably using a wool cloth. Do not use products containing alcohol, solvents, or derivatives on either the fabric or the base.

Contacts SAN LÒ
Via delle Ortensie 6/8
Modugno (BA) 70026
(+39) 0809184980
info@sanlodesign.it
sanlodesign.it




SAN LÒ



CLEMENTINA 3 SEATS



Design: Ferriani Sbolgi
Fabric and colors strategy: Studio Marcante - Testa

Dimensions and weight	Seats	3
	Structure	232 (L) × 100 (P) cm
	Height	h 90 cm
	Weight	70 kg

Fabric/Color	Shumacher	
	Dutton Buffalo Check:	
	Crismon	

Base/Color	Wood Base	 
	Blue Base	

Components, Materials and finishes
Sofa with fixed structure in beech, fir, and plywood. Base in matt open-pore lacquered beech. Cushions with removable covers, featuring polyurethane foam and polyester wadding padding, upholstered in Schumacher Dutton Buffalo Check Emerald fabric.

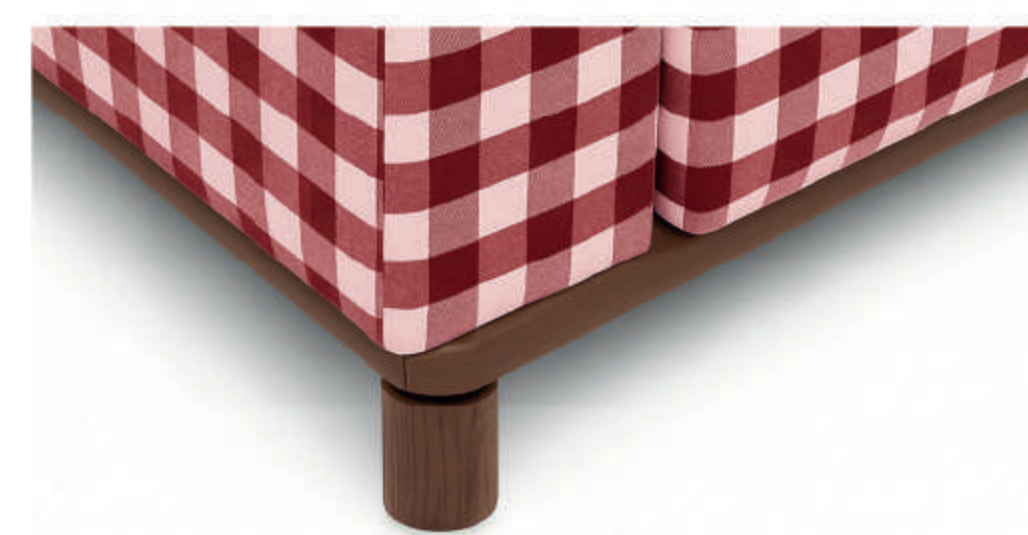
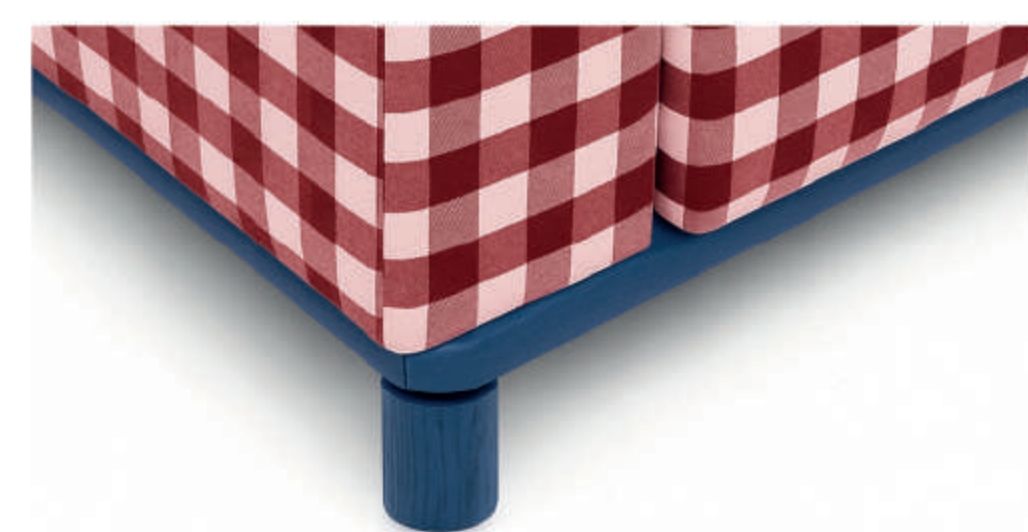
Composition Schumacher fabric 80% CO 20% PL

Washing Instructions 
DRY CLEAN

Shipping The sofa is individually packed in a box.

Product Care
Dry clean cushions only. Clean the fabric of the structure with a damp cloth or mild soap, preferably using a wool cloth. Do not use products containing alcohol, solvents, or derivatives on either the fabric or the base.

Contacts
SAN LÒ
Via delle Ortensie 6/8
Modugno (BA) 70026
(+39) 0809184980
info@sanlodesign.it
sanlodesign.it



SAN LÒ